

Q403



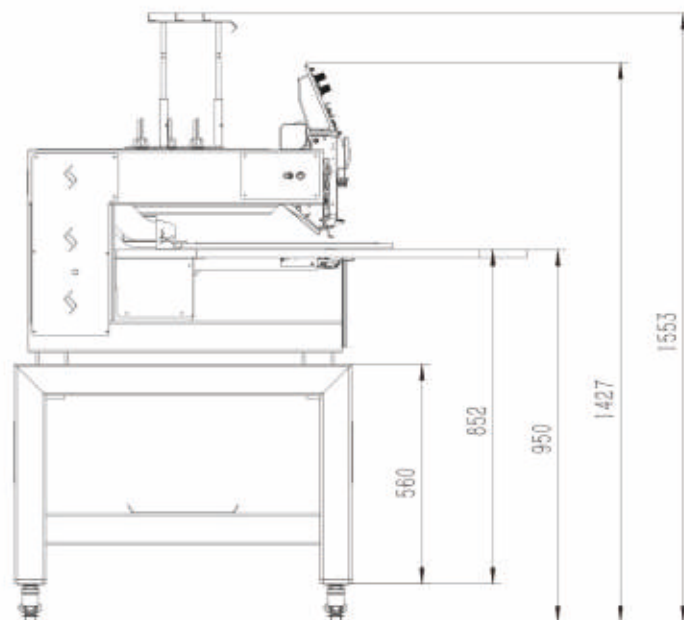
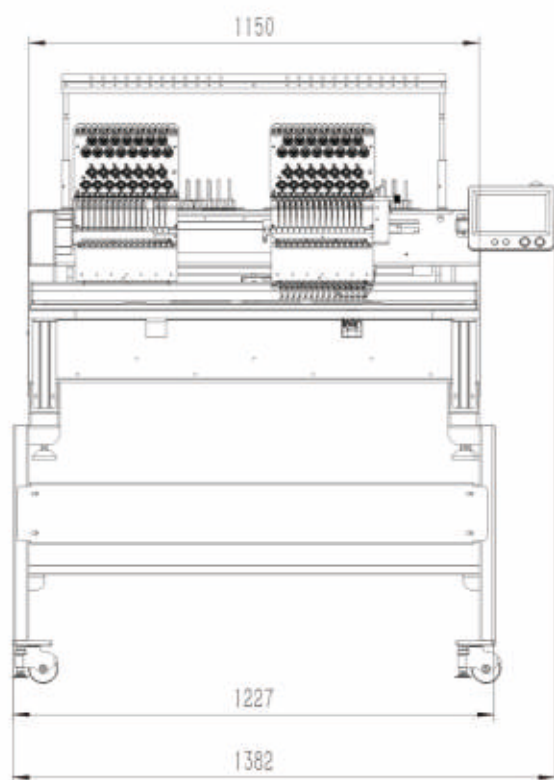
Main features:

- . suitable for cap/tubular/tshirt/flat embroidery
- . 10 inch touch screen computer supporting 16 languages with direct photo digitizing and embroidery
- . 20,000,000 stitches memories matched with 200 patterns
- . DST, DSB format are compatible
- . Automatic thread break detection
- . Automatic thread trimming
- . 270° wide cap frame
- . Automatic color change
- . Emergency stop
- . USB port and network to transfer design available
- . Various embroidery hoop sizes to meet customer's demands
- . With foot wheels on machine body, easy for moving

Main Parameter:

Model	Q401/Q402/Q403
Head#	2
Needle#	9/12/15
Monitor	10" Lcd display with 16 languages
Operating Language	Chinese, English, French, Spanish, Portuguese, Turkish, German, Dutch, Thai, Arabic, Romania, Italian, Vietnamese, Hebrew, Polish, etc
Direct photo digitizing and embroidery	Yes(BMP format)
Embroidery area	400*500mm
Speed	Max 1000SPM
Weight	335KG
Packing Size	1440*1040*1040mm
Voltage	100-250V
Power	400W

Q403



HOOPS/FRAMES INCLUDED



主要特点：

- .适用于帽绣，成衣绣，平绣、鞋绣
- .系统自动识别BMP照片格式打版绣花
- .10“触摸操作屏，16种语言（可定制）
- .最高可存2000万针，或是200个花版内存空间
- .兼容DST，DSB等格式花样
- .智能断线检测
- .自动勾、剪线
- .270°帽绣范围
- .自动换色，最大可换色次序200次
- .紧急停车按钮
- .可通过USB或网线传输花样
- .多种绣框尺寸快速切换
- .标配可移动桌子，方便移动

主要参数：

型号	Q401/Q402/Q403
头数	2
针数	9/12/15
操作系统	10英寸触摸屏
操作界面内置语言	中文，英文，法语，西班牙语，葡萄牙语，土耳其语，德语，泰语，阿拉伯语，罗马尼亚语，意大利语，越南语，希伯来语，波兰语等
人像照片自动打版绣花	BMP格式花版
最大绣花幅面	400*500mm
绣花速度	最高1000转/分钟
毛重	335KG
包装尺寸	1540*1080*1320mm
电压	100-250V
功率	400W