

# WY1204CH



## HOOPS/FRAMES INCLUDED



2xround hoops 9cm(3.5")  
per head



2xround hoops 12cm(4.7")  
per head



2xround hoops 15cm(5.9")  
per head



2xround hoops 19cm(7.5")  
per head



2xsquare hoops 30x30cm(12"x12")  
per head

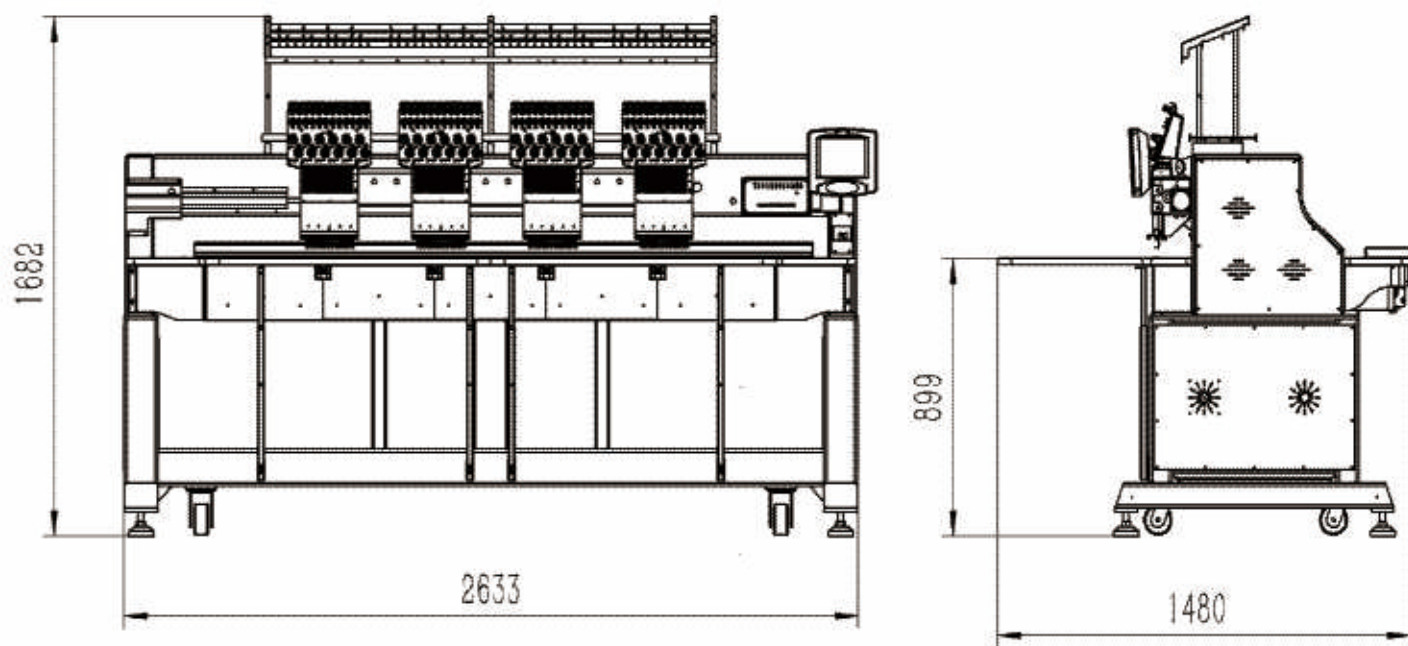
## Main features:

- .suitable for cap/tubular/tshirt/flat embroidery
- .12 inch touch screen computer supporting 16 languages
- .20,000,000 stitches memories matched with 200 patterns
- .DST, DSB format are compatible
- .Automatic thread break detection
- .Automatic thread trimming
- .270° wide cap frame
- .Automatic color change
- .Emergency stop
- .USB port and network to transfer design available
- Various embroidery hoop sizes to meet customer's demands
- .With foot wheels on machine body, easy for moving

## Main Parameter:

Model	WY904CH/WY1204CH/WY1504CH
Head#	4
Needle#	9/12/15
Monitor	12"Lcd display with 16 languages
Operating Language	Chinese, English, French, Spanish, Portuguese, Turkish, German, Dutch, Thai, Arabic, Romania, Italian, Vietnamese, Hebrew, Polish, etc
Embroidery area	400*450mm
Speed	Max 1000SPM
Weight	920KG
Packing Size	2750*1130*1720mm
Voltage	100-250V
Power	1000W

# WY1204CH



## CAP ATTACHMENT INCLUDED



### 主要特点：

- 适用于帽绣，成衣绣，平绣、鞋绣
- 12"触摸操作屏，16种语言（可定制）
- 最高可存2000万针，或是200个花版内存空间
- 兼容DST，DSB等格式花样
- 智能断线检测
- 自动勾、剪线
- 270°帽绣范围
- 自动换色，最大可换色次序200次
- 紧急停车按钮
- 可通过USB或网线传输花样
- 多种绣框尺寸快速切换
- 标配可移动桌子，方便移动

### 主要参数：

型号	WY904CH/WY1204CH/WY1504CH
头数	4
针数	9/12/15
操作系统	12英寸触摸屏
操作界面内置语言	中文、英文、法语、西班牙语、葡萄牙语、土耳其语、德语、泰语、阿拉伯语、罗马尼亚语、意大利语、越南语、希伯来语、波兰语等
最大绣花幅面	400*450mm
绣花速度	最高1000转/分钟
毛重	920KG
包装尺寸	2750*1130*1720mm
电压	100-250V
功率	1000W