

WY1506CH



HOOPS/FRAMES INCLUDED



2xround hoops 9cm(3.5")
per head



2xround hoops 12cm(4.7")
per head



2xround hoops 15cm(5.9")
per head



2xround hoops 19cm(7.5")
per head



2xsquare hoops 30x30cm(12"x12")
per head

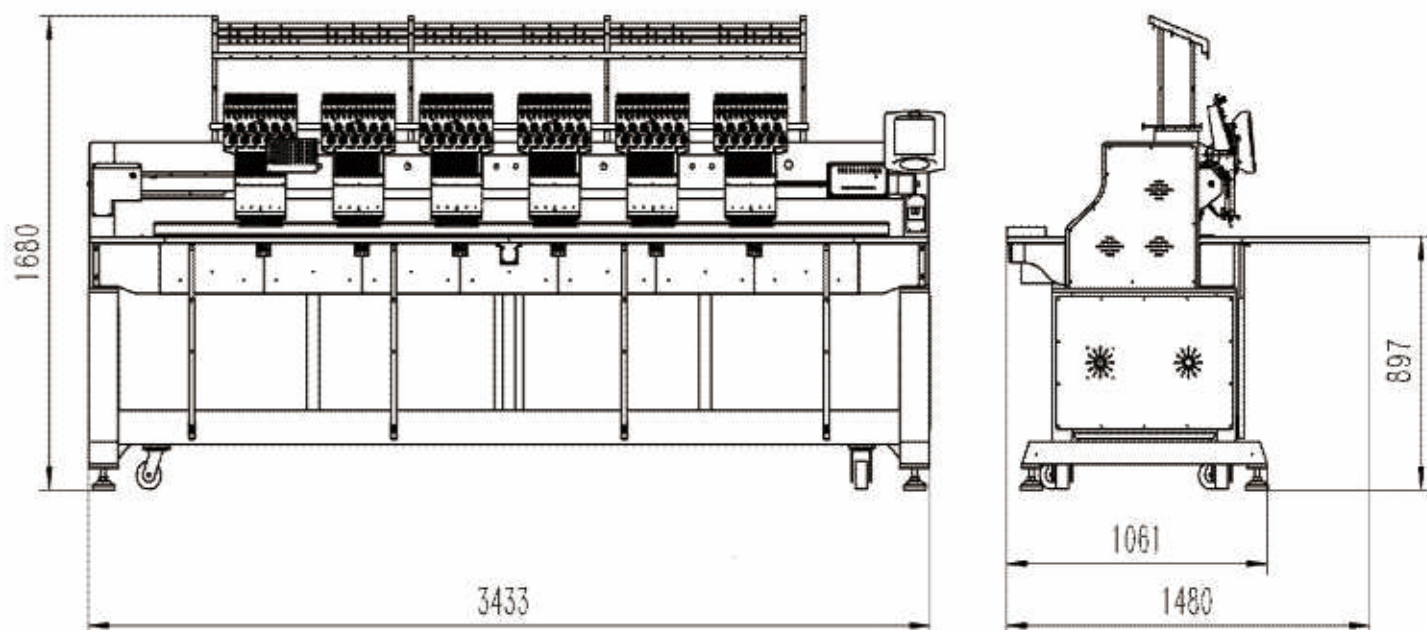
Main features:

- .suitable for cap/tubular/tshirt/flat embroidery
- .12 inch touch screen computer supporting 16 languages
- .20,000,000 stitches memories matched with 200patterns
- .DST, DSB format are compatible
- .Automatic thread break detection
- .Automatic thread trimming
- .270° wide cap frame
- .Automatic color change
- .Emergency stop
- .USB port and network to transfer design available
- Various embroidery hoop sizes to meet customer's demands
- .With foot wheels on machine body, easy for moving

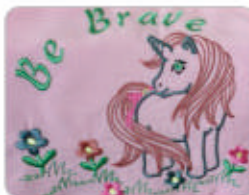
Main Parameter:

Model	WY906CH/WY1206CH/WY1506CH
Head#	6
Needle#	9/12/15
Monitor	12"Lcd display with 16 languages
Operating Language	Chinese, English, French, Spanish, Portuguese, Turkish, German, Dutch, Thai, Arabic, Romania, Italian, Vietnamese, Hebrew, Polish, etc
Embroidery area	400*450mm
Speed	Max 1000SPM
Weight	1185KG
Packing Size	3560*1160*1740mm
Voltage	100-250V
Power	1000W

WY1506CH



CAP ATTACHMENT INCLUDED



主要特点：

- .12"触摸操作屏，16种语言（可定制）
- .最高可存2000万针，或是200个花版内存空间
- .兼容DST，DSB等格式花样
- .智能断线检测
- .自动勾、剪线
- .270°帽绣范围
- .自动换色，最大可换色次序200次
- .紧急停车按钮
- .可通过USB或网线传输花样
- .多种绣框尺寸快速切换
- .标配可移动桌子，方便移动

主要参数：

型号	WY906CH/WY1206CH/WY1506CH
头数	6
针数	9/12/15
操作系统	12英寸触摸屏
操作界面内置语言	中文，英文，法语，西班牙语，葡萄牙语，土耳其语，德语，泰语，阿拉伯语，罗马尼亚语，意大利语，越南语，希伯来语，波兰语等
最大绣花幅面	400*450mm
绣花速度	最高1000转/分钟
毛重	1185KG
包装尺寸	3560*1160*1740mm
电压	100-250V
功率	1000W