

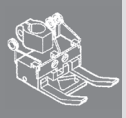
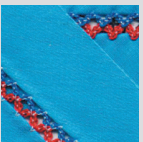

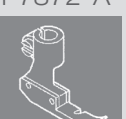
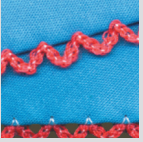

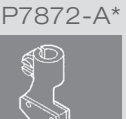
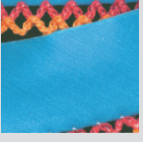




PICOTING MACHINE

One / Two Needle Picoting Chainstitch Machine

Z008	-	2	48	Q			
機種別 Model Z008 外曲牙縫紉機 Picoting Chainstitch Machine	針數 Needle numbers 1 ----- 2	針距 Needle Gauge mm	代碼 Code	型式 Type	車縫導片 / 壓具 Guide / Presser Foot	車縫樣式 Sewing Pattern	
 Z008-248Q			Q	雙鋸齒型 Double-Picot	ZB11-A 	P7873-A 	
					ZB09* 	P7872-A* 	
					ZB09* 	P7872-A* 	
			* 備註：置於配件盒當中 *Remark: Parts marked with an asterisk included in the accessory box.				



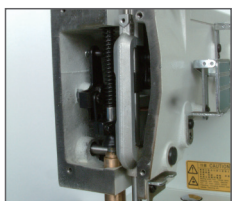
獨特的筒型台面設計使車縫更得心順手，更適於筒狀物的車縫，整體的外觀設計使操作與技術者的維修更容易

Cylinder machine frame design to make sewing operation easier for circular cloth. Easy maintenance and adjustment.



全自動加油系統，潤滑各部零件，提升機台壽命

Automatic oiling system to lubricate all spare parts, to extend the machine lifetime.



密閉式針杆及天秤結構，防止漏油
Entirely sealed needle bar and take-up design to prevent oil leakage.







按鈕式縫距調整裝置，簡便省時，減少一般式調整或更換零件之冗長作業

Stitch length adjustment by knob, saves time for adjustment and maintenance.

可更換不同規格元件，適合多樣的鋸齒飾邊或雙鋸齒飾邊

Different gauge set can be easily changed suitable for various picot sewing.

Z1

							
Z008-248Q	2	4	3.7~7.4	1	7	UO163 #11	3500

Z型裝飾

適用於女用內衣褲、手絹、桌布、禮服、童裝、運動裝、枕套等之各種裝飾縫。

ZIGZAG SEWING

Suitable for making decorative zigzag stitches on women's underwears, handkerchiefs, tablecloths, formal dresses, children's wear, sportwears and pillowcases.

