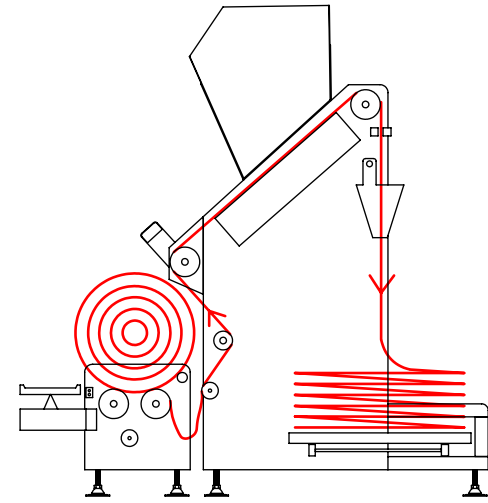


B



**JN-887LF-ED電腦控制松(疊)布、驗布機**  
COMPUTER CONTROLLED FABRIC LOOSENING  
(FOLDING), FABRIC INSPECTION MACHINE

**功能：**驗布、量布、稱重、展布邊、疊布自動齊邊  
FEATURES: Fabric Inspection, Length Measurement, Weighing, Spreading Fabric Edge, Fabric Folding Edge Alignment  
**適用於：**針織、梭織、彈性布(通用面料)  
BEST FOR: Knit Fabric, Woven, Spandex (General Fabric)

**最大卷布直徑：**Φ45cm  
MAXIMUM FABRIC ROLLING DIAMETER: Φ45cm

**特點：**可根據面料扣分制對面料的疵點項目、疵點位置、疵點原因、扣分數、面料重量、面料長度、面料供應商等資料實時采集并打印，數據存儲并可聯機共享查閱，實現智能化大數據管理。

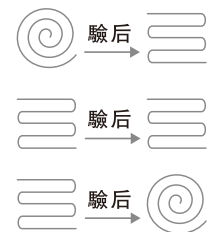
**FEATURES:**  
The defect types, defect location, defects quantity, defect scores, fabric weight, fabric length and supplier etc. information of the inspected fabric could be recorded, saved to the computer and shared through online computer, and printed out at any time during inspection, so as to achieve big data intelligent management.

<b>有效幅寬：</b>	<b>機身尺寸：</b>
VALID FABRIC WIDTH:	SIZE:
72" (180cm)	236 x 166 x 187 (cm)
84" (210cm)	266 x 166 x 187 (cm)
94" (235cm)	292 x 166 x 187 (cm)
120" (300cm)	358 x 166 x 187 (cm)

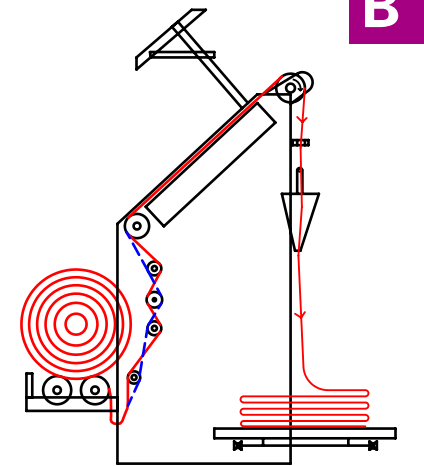
(后視圖)  
REAR ELEVATION



- 1、可加裝自動檢測面料門幅寬度裝置(需另行訂購)  
Adding auto detect fabric width function (Optional)
- 2、可加裝機器視覺自動驗布系統(需另行訂購)  
Adding automatic self fabric inspection system (Optional)



B



**SW-124LF-ED自動對邊鬆(疊)布、驗布機**  
AUTO EDGE ALIGNMENT FABRIC LOOSENING  
(FOLDING) AND INSPECTION MACHINE

**功能：**驗布、量布、鬆(疊)布齊邊  
FEATURES: FABRIC INSPECTION, FABRIC MEASUREMENT, FABRIC LOOSENING (FOLDING) AND EDGE ALIGNMENT  
**適用於：**針織、梭織、彈性布(通用面料)  
BEST FOR: KNIT FABRIC, WOVEN, SPANDEX (GENERAL FABRIC)  
**最大卷布直徑：**Φ45cm  
MAXIMUM FABRIC ROLLING DIAMETER: Φ45cm  
**耗電量：**  
WATT: 1.5-2kw

<b>有效幅寬：</b>	<b>機身尺寸：</b>
VALID FABRIC WIDTH:	SIZE:
72" (180cm)	237 x 145 x 190 (cm)
84" (210cm)	267 x 145 x 190 (cm)
94" (235cm)	292 x 145 x 190 (cm)
120" (300cm)	358 x 145 x 190 (cm)

